

AC-ABF70



Connection and acknowledgment unit

The AC-ABF70 connection and acknowledgement unit is equipped with muting for resetting the start/restart interlock and overriding an MLD or MLC optical protective device. The AC-ABF70 features two M12 connection cables; one is connected directly to the machine interface of the optical protective device, while the other is used for the connection in the cabinet via the CB-M12-xxxx-8GF connection cables (see MLD accessories). The reset button illuminates as long as the OSSDs of the optical protective device (MLD or MLC 320/520) are switched off. Using MLC 530 in operating mode 4 or 6 the muting mode will be signaled. The cable length of each is 5 m. The AC-ABF70 can be directly mounted on a hard guard via a supplied clamping plate without opening the device.

ATTENTION!

This connection and acknowledgement unit must be mounted in such a way that activation from the danger zone is not possible.

Features

- Robust plastic housing
- Commit and override via button
- UL certified contact block
- Connection to MLD or MLC
- Simple mounting on hard guards by means of supplied clamping plate
- 2x M12 connection, 8-pin
- UV resistant, IP67 + IP69K

Installation

Mount the device on the hard guard via the bore holes in the housing and the supplied stainless steel clamping plate so that the guard is located between the device and the clamping plate.

Connect the cable to the MLD or MLC 8-pin socket on the machine interface (plug).

Order guide

Part No.	Article	Description
426296	AC-ABF70	Connection and acknowledgment unit

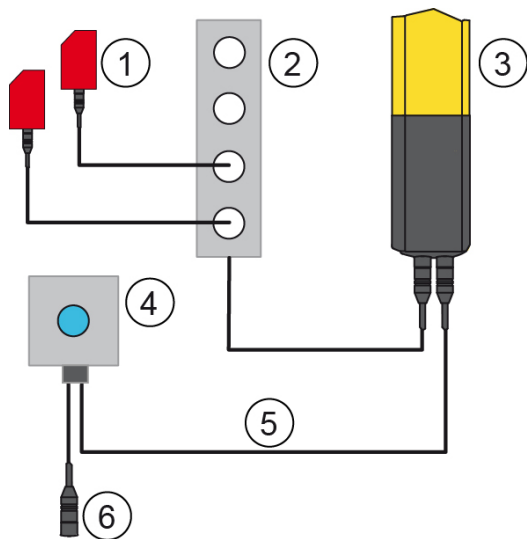
Accessories

Part No.	Article	Description
678060	CB-M12-5000E-8GF	Connection cable, M12, 8-pin/open, 5 m
678061	CB-M12-10000E -8GF	Connection cable, M12, 8-pin/open, 10 m
678062	CB-M12-15000E -8GF	Connection cable, M12, 8-pin/open, 15 m
678063	CB-M12-25000E -8GF	Connection cable, M12, 8-pin/open, 25 m
678064	CB-M12-50000E -8GF	Connection cable, M12, 8-pin/open, 50 m

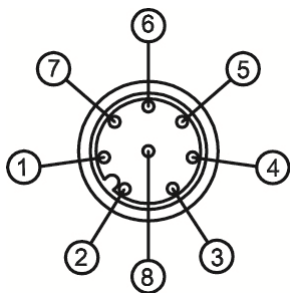
Technical Data

Basic data	
Suitable for	Multiple Light Beam Safety Devices MLD 500, MLD 300, Safety Light Curtains MLC 500, MLC 300
Mechanical data	
Housing	Plastic, glass fiber reinforced (PPS), self-extinguishing
Clamping plate	Stainless steel
Net weight	250 g
Connection cables	1 x 5 m, PUR, M12, 8-pin. 1 x 0.2 m, PUR, M12, 8-pin.
Electrical equipment	
Supply voltage	24 V DC ± 20 %
Switching current via button	1 mA ... 1 A
Environmental data	
Ambient temperature, operation	-25 ... +70 °C
Ambient temperature, storage	-25 ... +70 °C
Certifications	
Protection class	IP 67, IP 69K
VDE safety class	III

AC-ABF70



Switching example



M12 plug pin assignment (6)

Electrical connection

Switching example	
1	Muting sensors (MS 1, MS 2)
2	AC-SCM5 (-BT)
3	MLD 320, MLD 330, MLD 520, MLD 530, MLC 320, MLC 520, MLC 530
4	AC-ABF70
5	5-m connection cable, M12 socket, 8-pin. on MLD or MLC machine interface Note pin assignment!
6	0.2-m connection cable, M12 plug, 8-pin to cabinet

Pin assignment			
Pin	MLD 320, MLD 520, MLC 320, MLC 520	MLD 330, MLD 530	MLC 530 (operating mode 4 or 6)
1	RES	RES	IO 1
2	+24 V	+24 V / 0 V	VIN 1
3	EDM	EDM	IN 3
4	MODE	MS 2	IN 4
5	OSSD 2	OSSD 2	OSSD 1
6	OSSD 1	OSSD 1	OSSD 2
7	0 V	0 V / +24 V	VIN 2
8	n.c./FE	M-EN/TO	IN 8

Dimensioned drawing

